

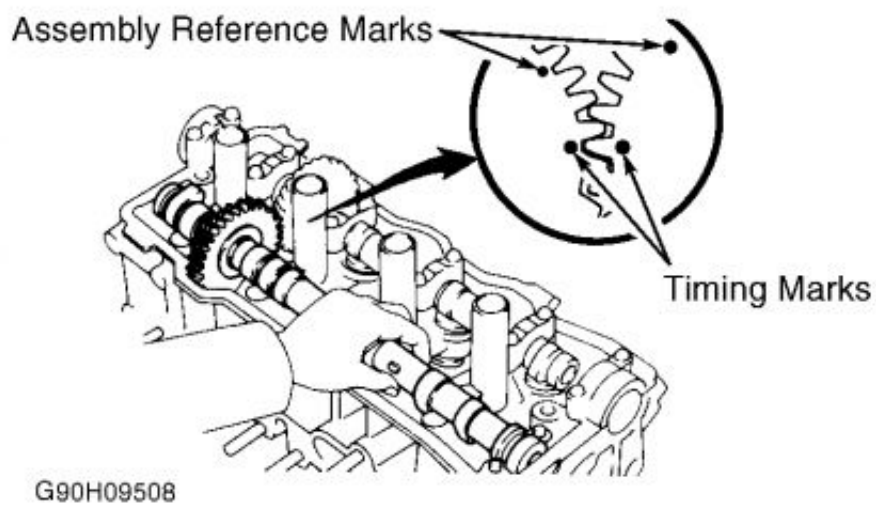


DOWNLOAD



DOWNLOAD

[1994 Toyota Camry 2.2 Diagnostic Trouble Codes Manual Pdf](#)



[1994 Toyota Camry 2.2 Diagnostic Trouble Codes Manual Pdf](#)



DOWNLOAD



DOWNLOAD

When the PCM senses something out of the established perimeter, a trouble code is set in the PCM.. An OBD-II (On Board Diagnostics 2) reader interacts with the PCM to pull the codes.. It senses all of the perimeters that the engineers put in place for the sensors that operate the drivetrain.

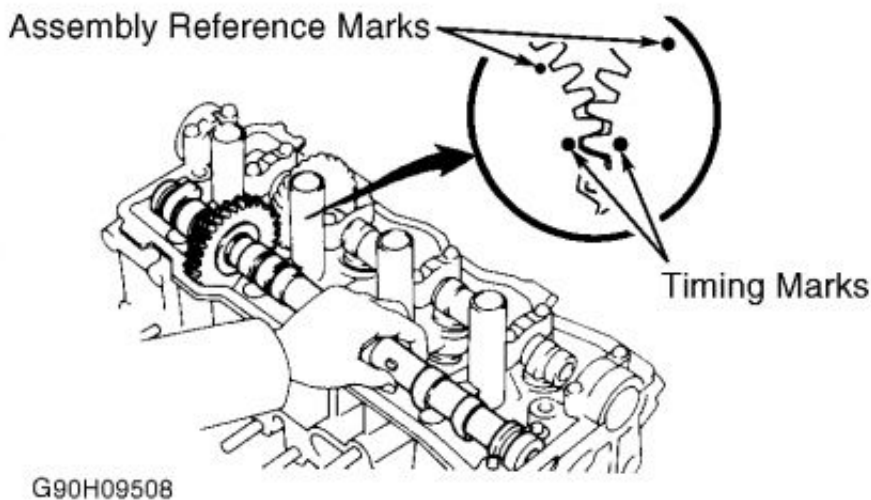
[1. toyota camry diagnostic trouble codes manual](#)

They don't always make sense and don't always tell you exactly which part is bad but they will get you in the.. Toyota implemented OBD II on the 94 V6 Camry, but not on the 4 Cylinder Even though the government standard was not until the '96 model year.. Jul 27, 2015 Toyota Camry: Engine Codes Diagnostic Guide Fortunately, you can pull those trouble codes and they will help you figure out what the issue is.

toyota camry diagnostic trouble codes manual

toyota camry diagnostic trouble codes manual [Tom Sawyer. detective Read ebook in EPUB. MOBI. DOCX. PDF](#)

Sep 28, 2013 service repair manual 1994, toyota camry problems fix it replace maintenance troubleshooting pdf manual, toyota camry repair manual, toyota camry service manual, toyota camry workshop manual.. Jul 27, 2015 This article applies to the Toyota Camry (1997-2011) The computer or PCM (Powertrain Control Module) in your Camry is very smart. [Overture](#)
[Download Mac](#)



[Como Controlar La Mente Humana](#)

[VLC Para Mac OS High Sierra](#)

Aug 18, 2009 It has the OBD 1 ports, but you can't read the codes The only way is to pull the codes from the OBD II port with a scan tool. [Weekly Update To Boss Template](#)

[Hallelujah Midi File Free](#)

0041d406d9 [Vgn Fe550g Driver For Mac](#)

0041d406d9

[Five Characteristics of an Effective 21st-Century Educator](#)